

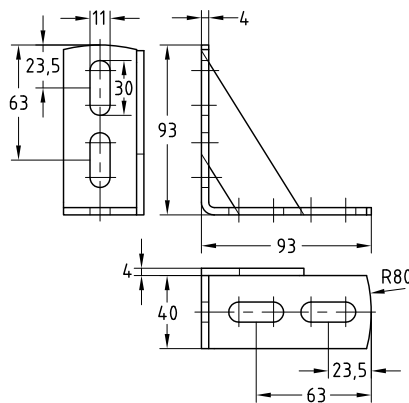
### Mounting angle with frame

#### Field of application

- Mounting angle for connecting MPC- or MPR-Support channels
- For use as wall hanger brackets for small pipelines

#### Advantages

- Stable thanks to welded-on reinforcement piece
- Elongated slots on both sides of the mounting angle permit flexible mounting
- Universally usable for connecting both MPC- and MPR-Support channels
- For indoor and outdoor applications



For support channels	Material	Part no.	Sales unit	Pack unit
38/40-40/60, 41/21-41/124	V2A	118914	1	pieces

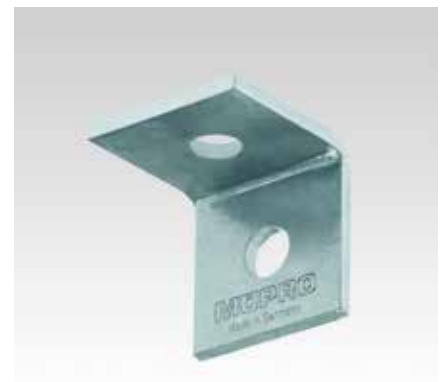
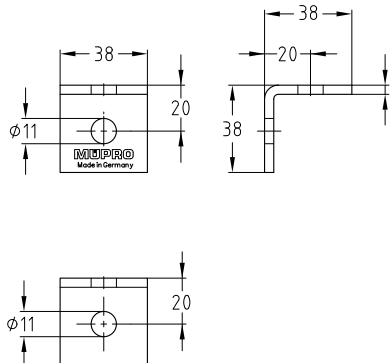
### Mounting angle short

#### Field of application

- Strong and good value connecting element for the construction of frames, shelves and supports for pre-wall installations

#### Advantages

- Creation of rigid structures without welding
- High flexibility and easy mounting
- Good adjustment to the widths of MPC- and MPR-Support channels



For support channels	Material	Part no.	Sales unit	Pack unit
38/40-40/60, 41/21-41/124	V2A	118854	25	pieces